

The Dacor logo is rendered in a bold, italicized, sans-serif font with a metallic, 3D effect. The letters are dark with a lighter, reflective highlight on the top and left sides, giving it a sleek, modern appearance.

The Life of the Kitchen.®

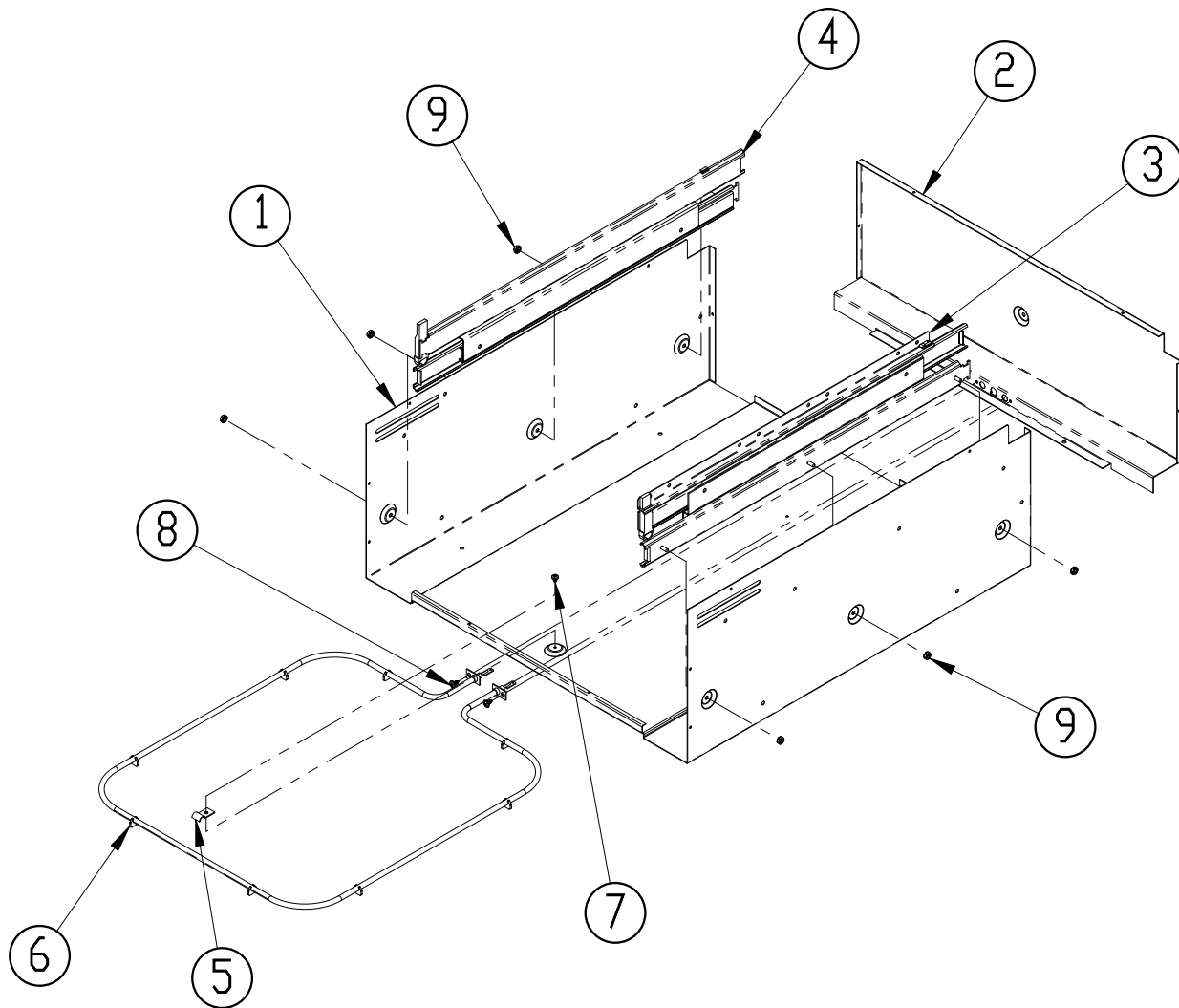
A faded background image of a kitchen featuring a white Dacor ERWD30B electric range. The range has a stainless steel cooktop with four burners and a white oven door. On the counter to the left, there are various kitchen items like a bowl, a bottle, and a citrus squeezer. To the right, there's a sink with a faucet and a dish rack. The overall scene is brightly lit, creating a clean and professional atmosphere.

PARTS CATALOG

ERWD30B

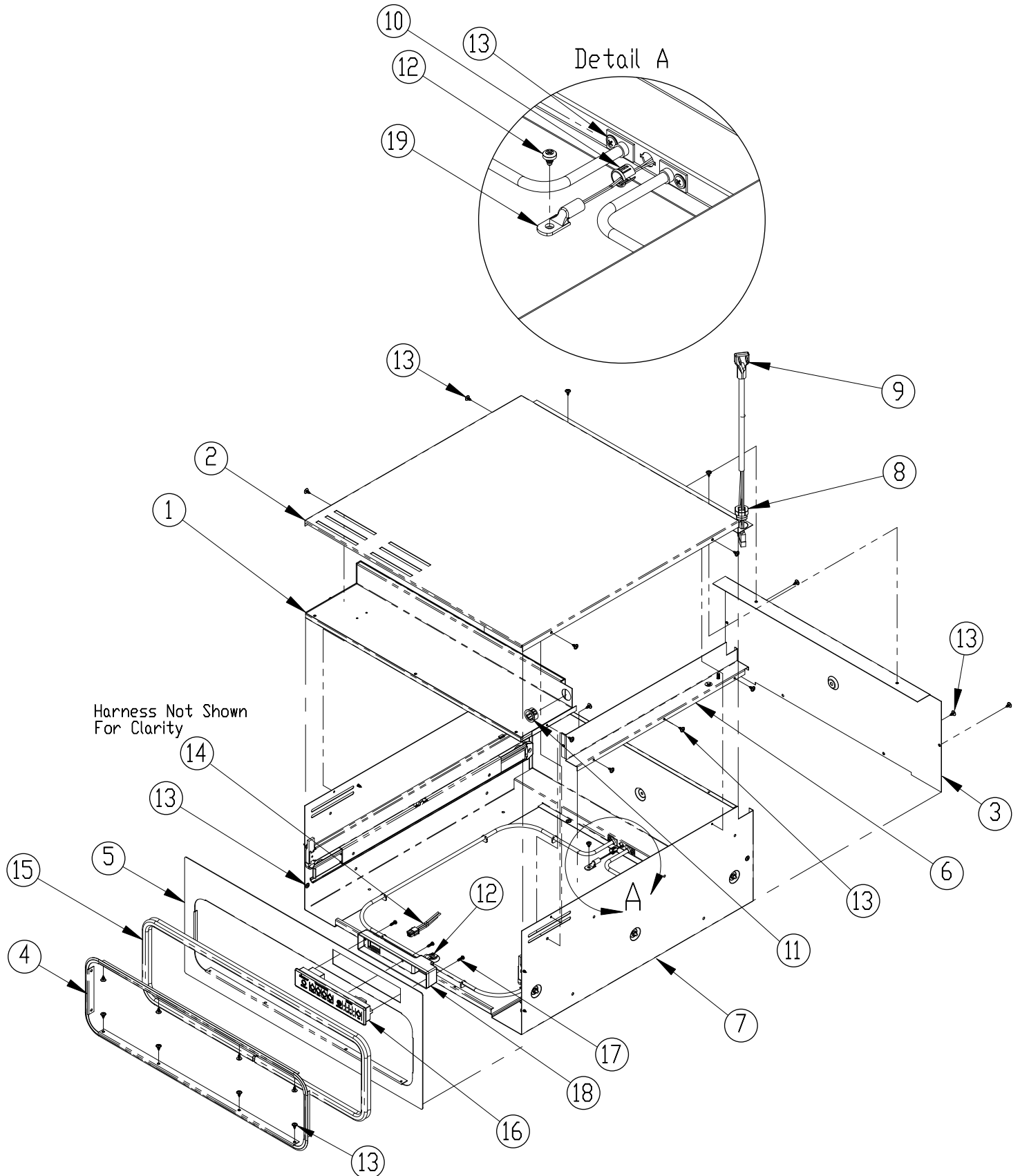
Page #	Sheet Title
1	Chassis Wrap Assembly
2	Chassis Assembly
3	Chassis Parts
4	Drawer Assembly

ERWD30B Chassis Wrap Assembly



Ref #	Description	Part #
1	Wrap, Chassis	101883-03
2	Partition, Rear	101881-03
3	Slide Rail Set, Right	72737
4	Slide Rail Set, Left	(Sold as Set)
5	Clip, Element Hold down	102321
6	Heating Element	101651
7	Screw, Phil HD, #8 x 1/4"	83001
8	Screw, Phil HD, #8 x 3/8"	83263
9	Nut Hex Keps #8-32	83048

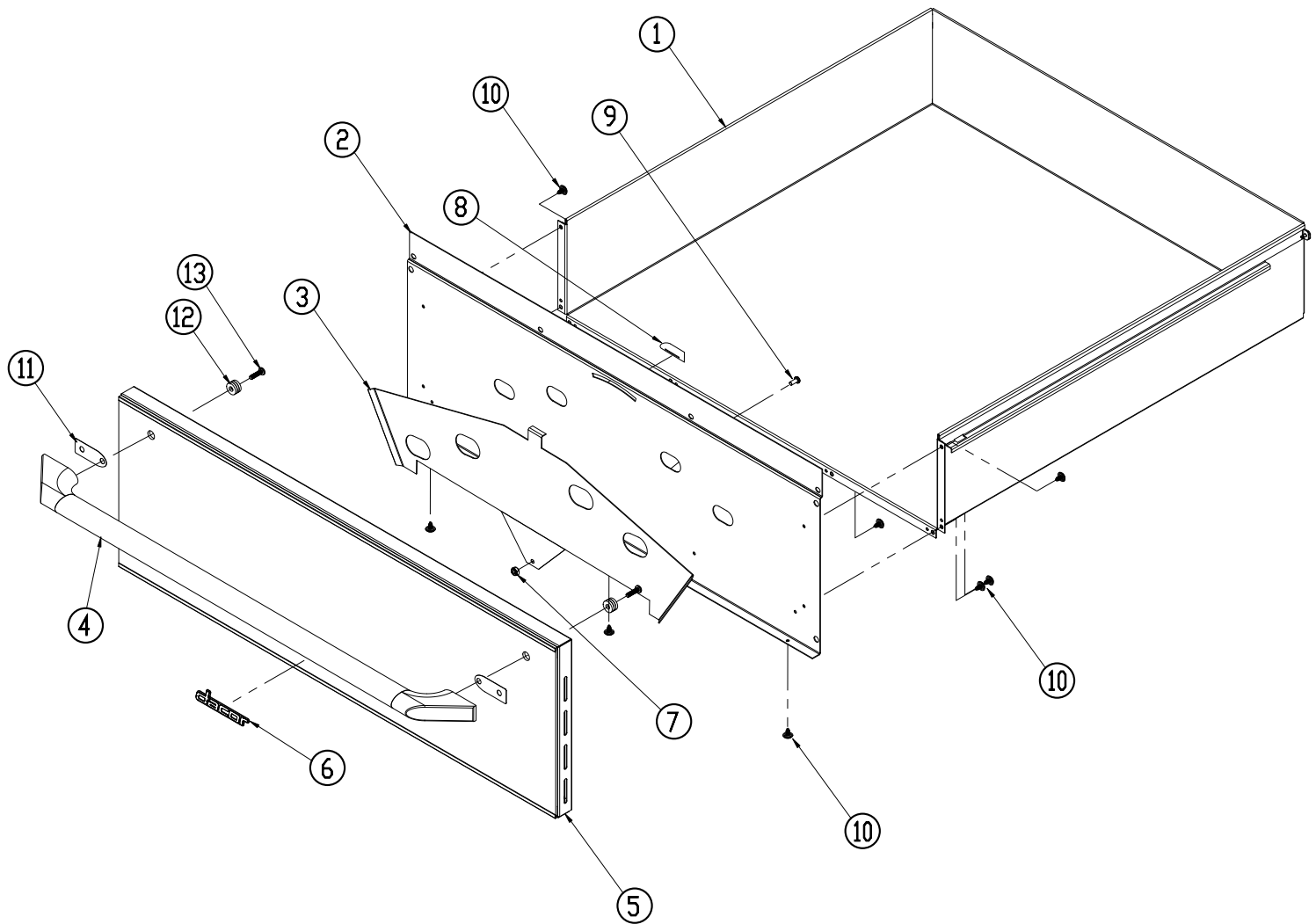
ERWD30B Chassis Assembly




ERWD30B Chassis Parts

Ref #	Description	Parts #
1	Asy, Channel Control	700738-03
2	Top Cover	101882-03
3	Cover, Rear	101657-03
4	Frame Gasket*	102445*
5	Control Panel*	101879-03B*
6	Electric Chase Weld	700877
7	Asy, Chassis Wrap	700591-03
8	Strain Relief Bushing	83141
9	Power Supply Cord	72765
10	3/8" Bushing Hole	83523
11	Bushing, Heyco	83056
12	Screw, Phil HD, #8 x 1/4"	83001
13	Screw, Phil HD, #8 x 3/8"*	83263*
14	Wire Harness (Not Shown)	102347
-	Hi-Limit Thermostat (Not Shown)	106613
15	Gasket*	101649*
16	Control w/ Overlay**	101645**
17	Screw, #6-19 x 1/2" Plastite**	102499**
18	Cover, Control Board**	101610
19	Thermistor	102472
*Order as Kit, 701127-03 (Click Note for Details) 		
**Order as Kit, 701120 (Click Note for Details) 		

ERWD30B Drawer Assembly



Ref #	Description	Part #
1	Asy, Drawer Wrap, Service*	701121-03*
2	Drawer, Backing Panel	106388E
3	Moist Crisp Slide	36454
4	Handle, Door	13659-019
5	Door Skin w/ Logo, Service**	701122-05**
6	Dacor Logo	72510CH
7	Nut, Lock, Nylon, #10-24	106078
8	Knob, Damper, Black	82415B
9	Screw, Pan Hd, #8-32 x 3/8"	83358
10	Screw ,Wfr Hd, #8 x 3/8"	83534
11	Door Handle Spacer	92008
12	Washer, Fiber w/ Adh. 1-Side	83555
13	Screw, Phil Pan, #10-32	83696
*Order as Kit, 701121-03 (Click Note for Details) 		
**Order as Kit, 701122-05 (Click Note for Details) 